



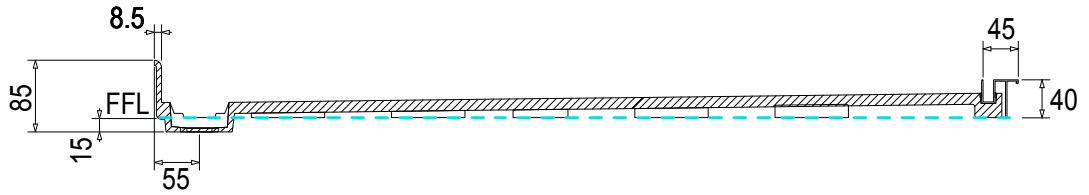
3 WALL HINGED SHOWER TECHNICAL SPECIFICATIONS



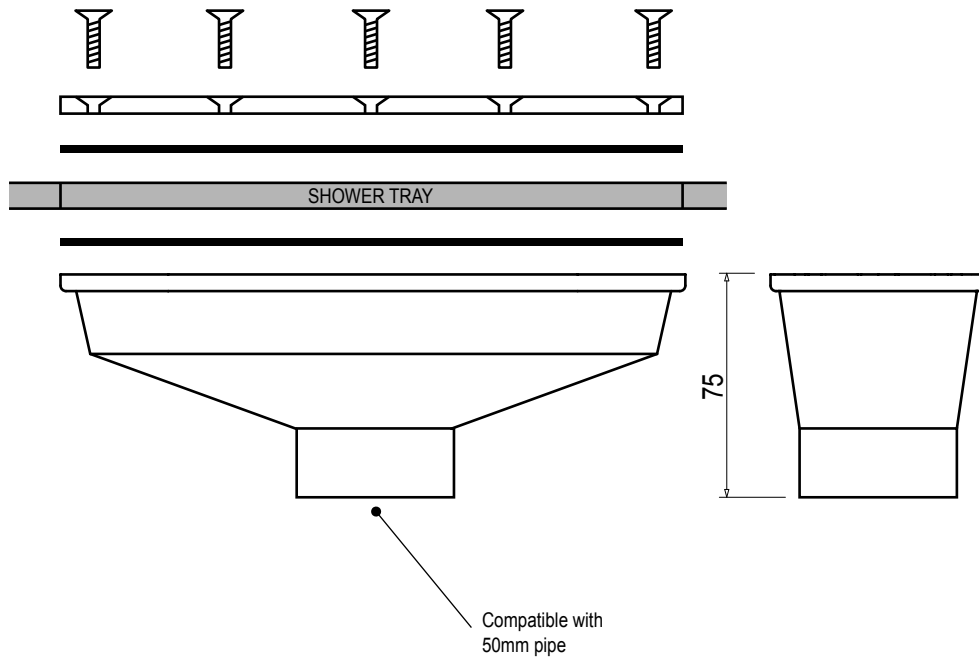
exclusive to
plumbingworld

www.brenner.co.nz

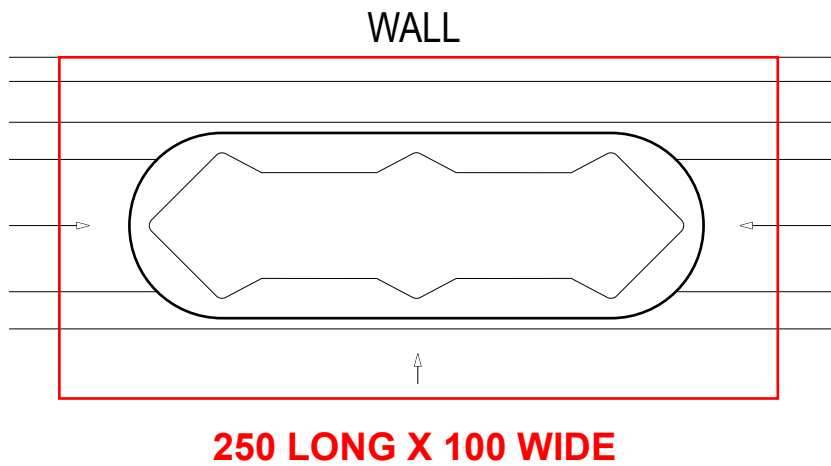
TYPICAL BASE PROFILE



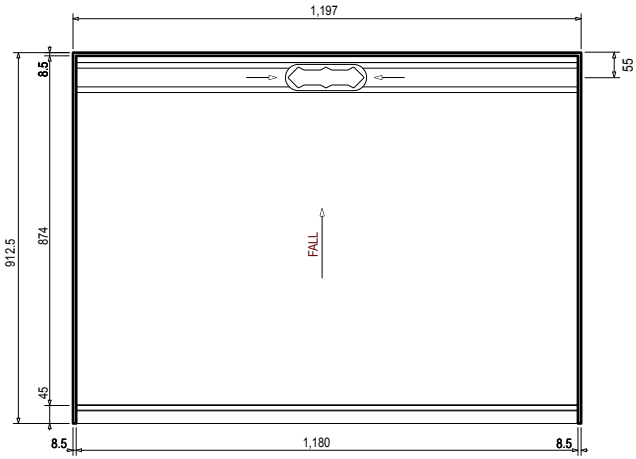
WASTE DETAIL



WASTE RECESS

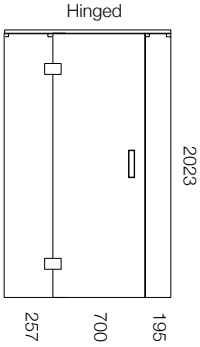


REAR DRAIN

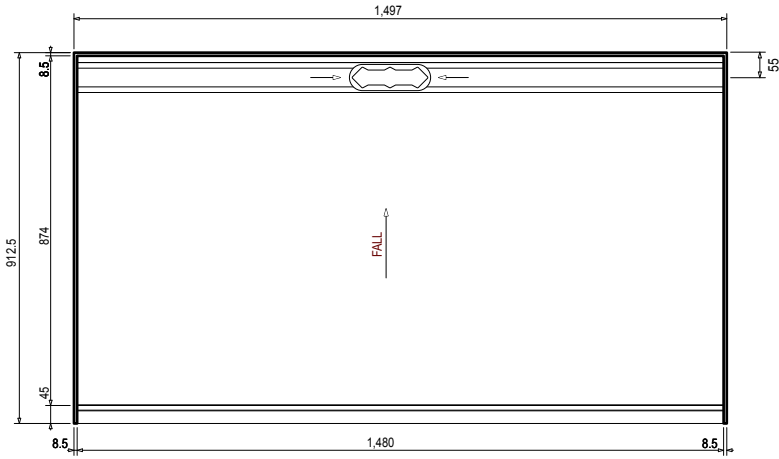


HINGED SCREENS CONFIGURATION

Please see *Sliding Specifications* for information on Sliding Screens.

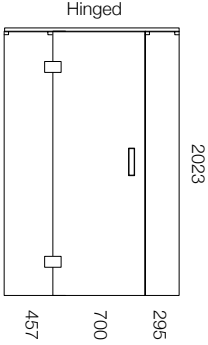


REAR DRAIN

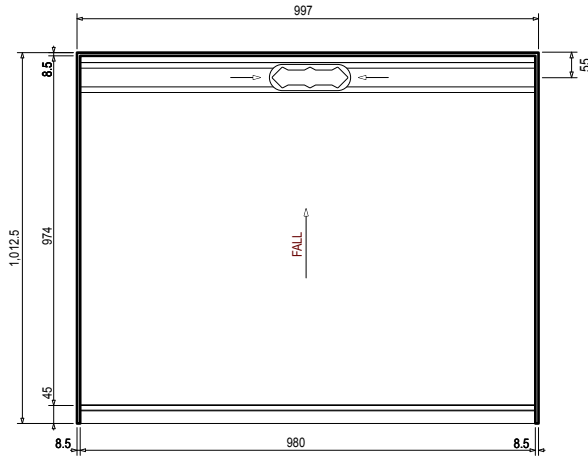


HINGED SCREENS CONFIGURATION

Please see *Sliding Specifications* for information on Sliding Screens.

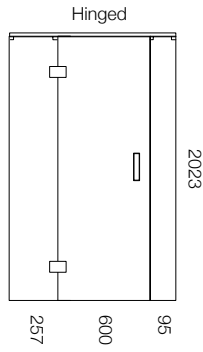


REAR DRAIN

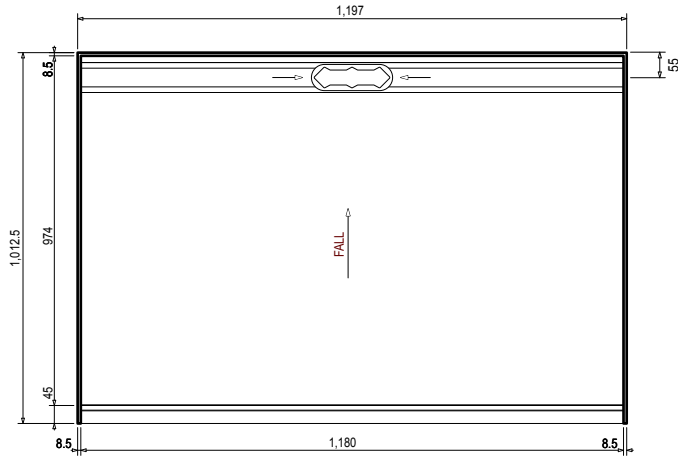


HINGED SCREENS CONFIGURATION

Please see *Sliding Specifications* for information on Sliding Screens.

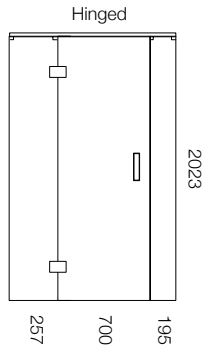


REAR DRAIN

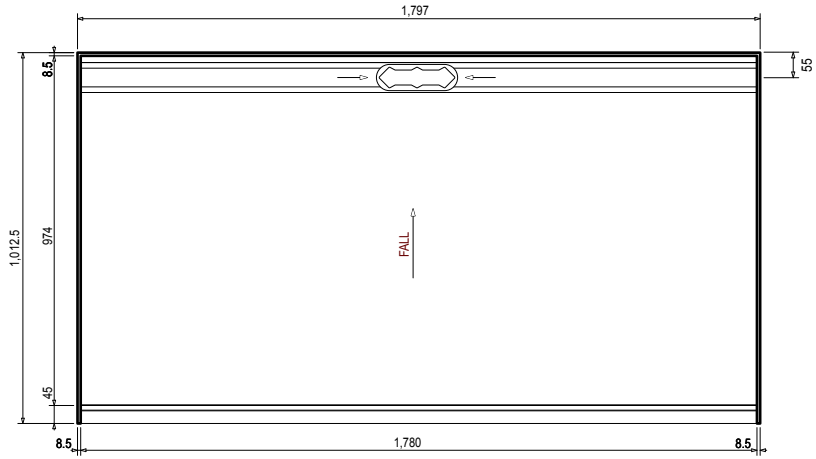


HINGED SCREENS CONFIGURATION

Please see *Sliding Specifications* for information on Sliding Screens.



REAR DRAIN



HINGED SCREENS CONFIGURATION

Please see *Sliding Specifications* for information on Sliding Screens.

