



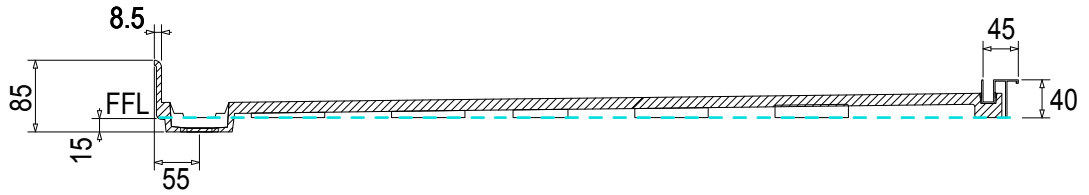
2 WALL SLIDING SHOWER TECHNICAL SPECIFICATIONS



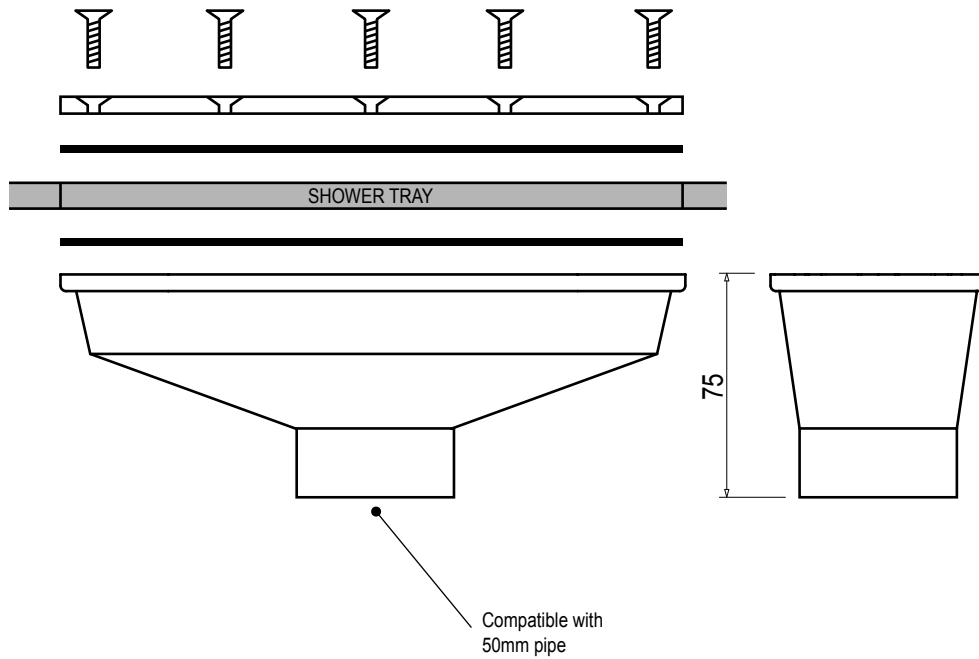
exclusive to
plumbingworld

www.brenner.co.nz

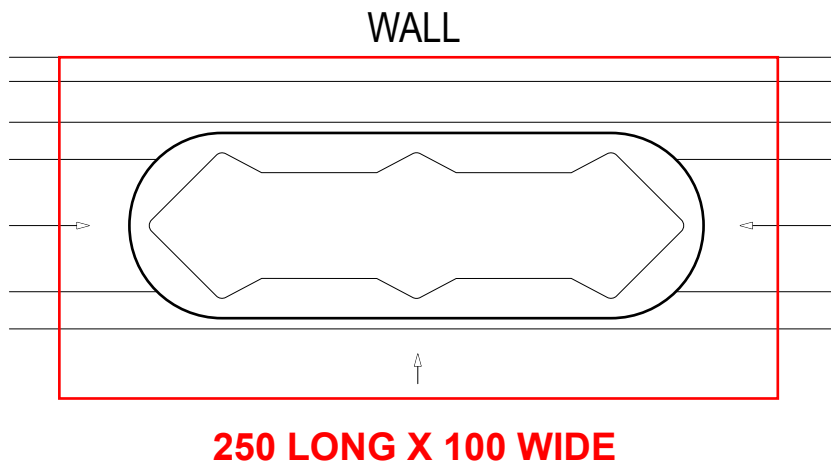
TYPICAL BASE PROFILE



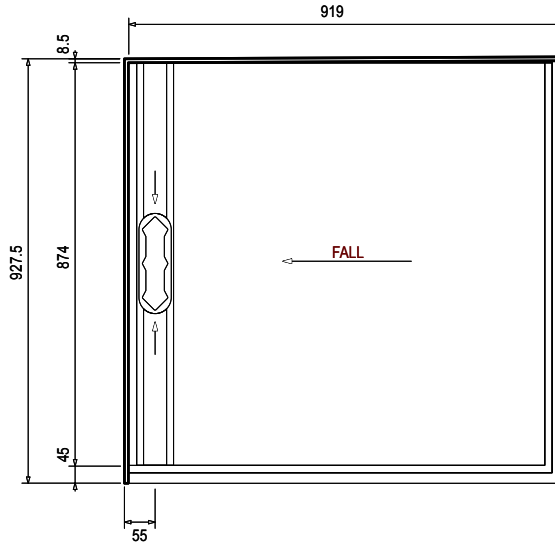
WASTE DETAIL



WASTE RECESS

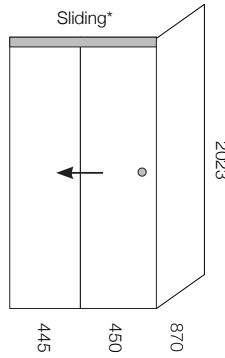


LH BASE



SLIDING SCREENS CONFIGURATION

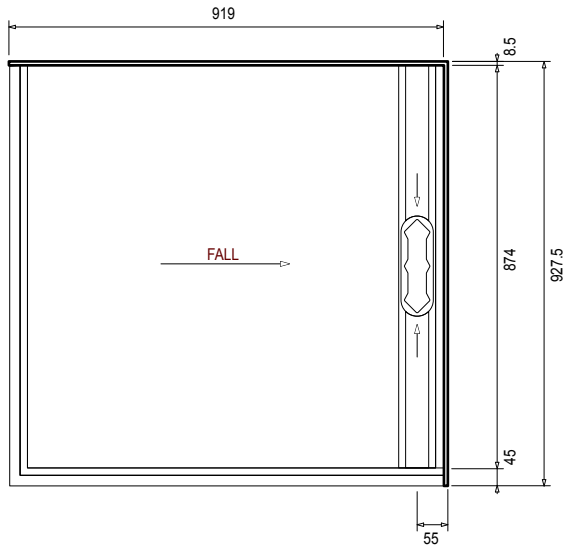
Please see *Hinged Specifications* for information on Hinged Screens.



Screens are reversible

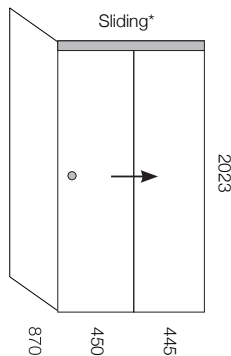
*Soft-Close not available on 900 wide sliding showers.

RH BASE



SLIDING SCREENS CONFIGURATION

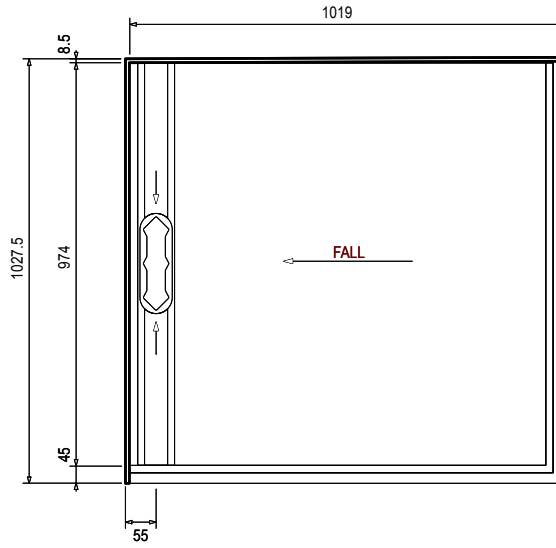
Please see *Hinged Specifications* for information on Hinged Screens.



Screens are reversible

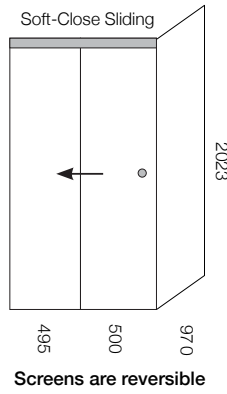
*Soft-Close not available on 900 wide sliding showers.

LH BASE

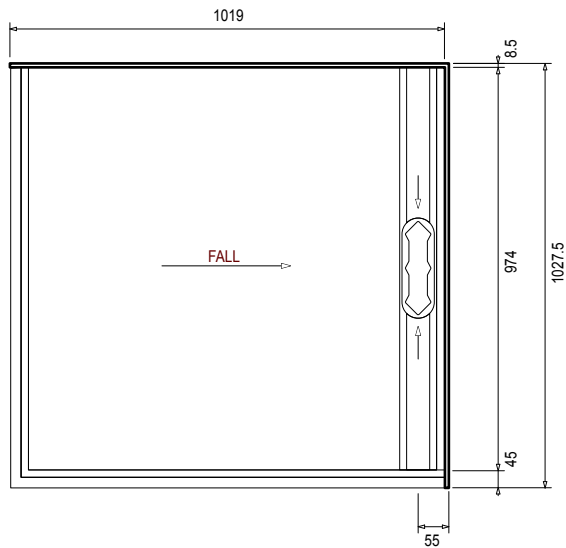


SLIDING SCREENS CONFIGURATION

Please see *Hinged Specifications* for information on Hinged Screens.

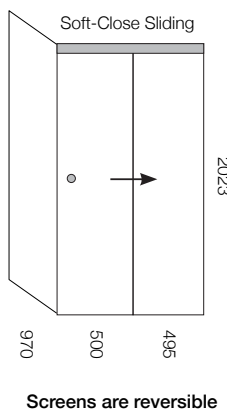


RH BASE

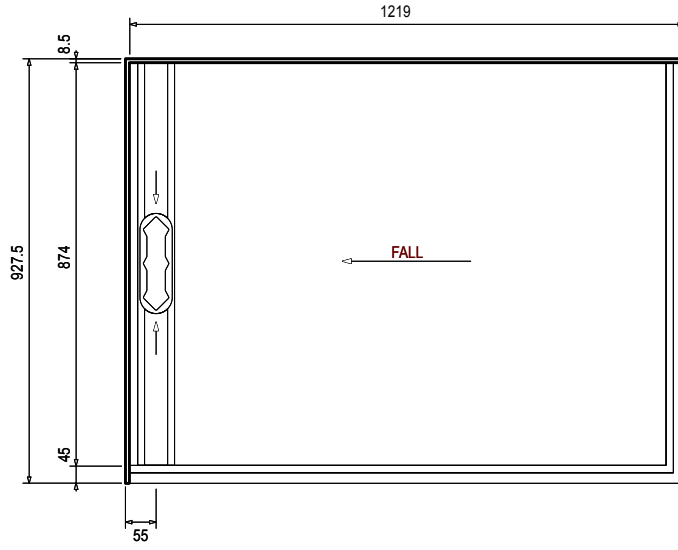


SLIDING SCREENS CONFIGURATION

Please see *Hinged Specifications* for information on Hinged Screens.

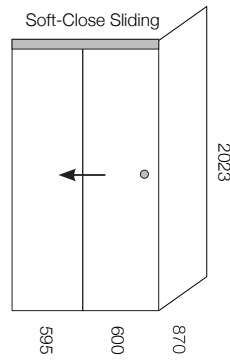


LH BASE

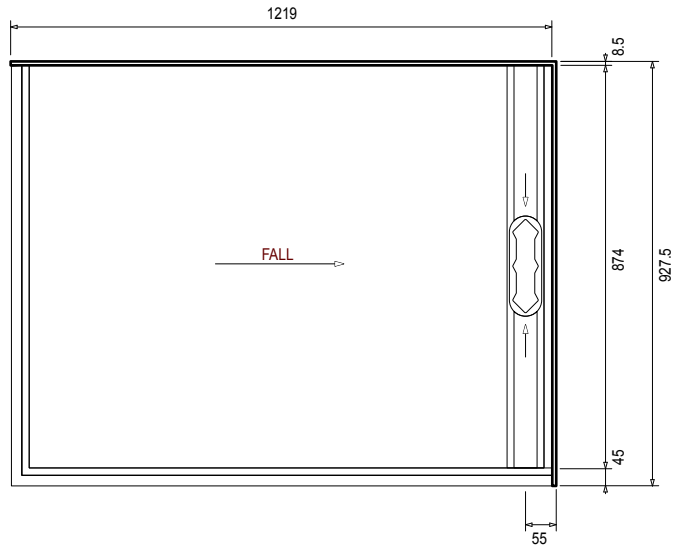


SLIDING SCREENS CONFIGURATION

Please see *Hinged Specifications* for information on Hinged Screens.

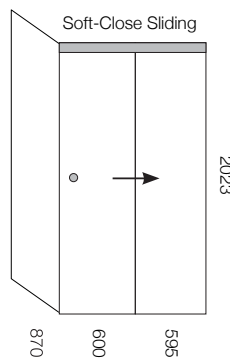


RH BASE

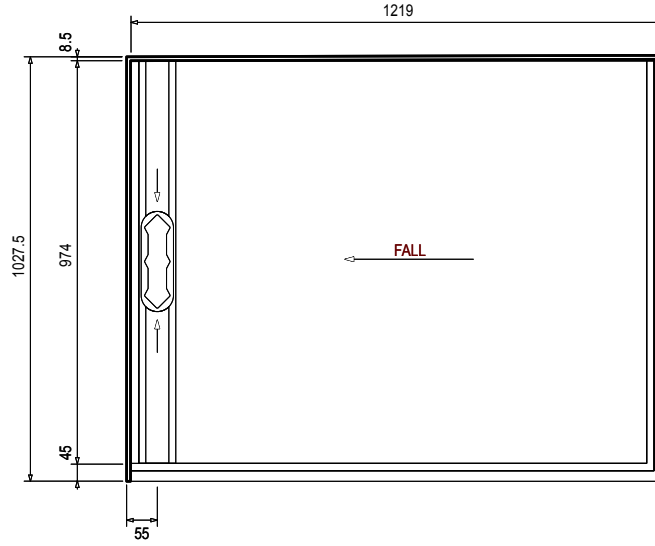


SLIDING SCREENS CONFIGURATION

Please see *Hinged Specifications* for information on Hinged Screens.

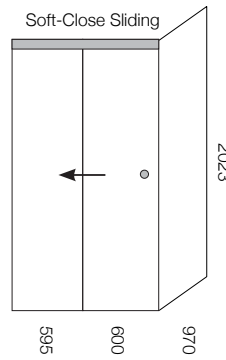


LH BASE

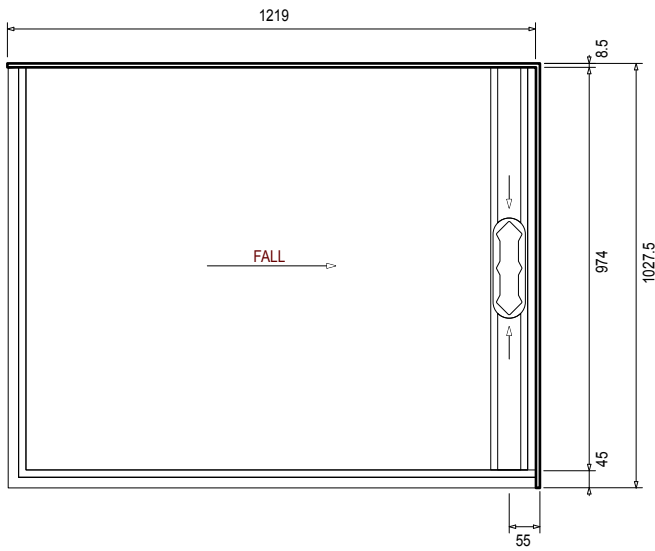


SLIDING SCREENS CONFIGURATION

Please see *Hinged Specifications* for information on Hinged Screens.

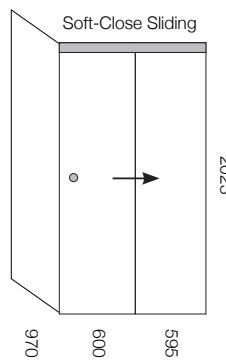


RH BASE

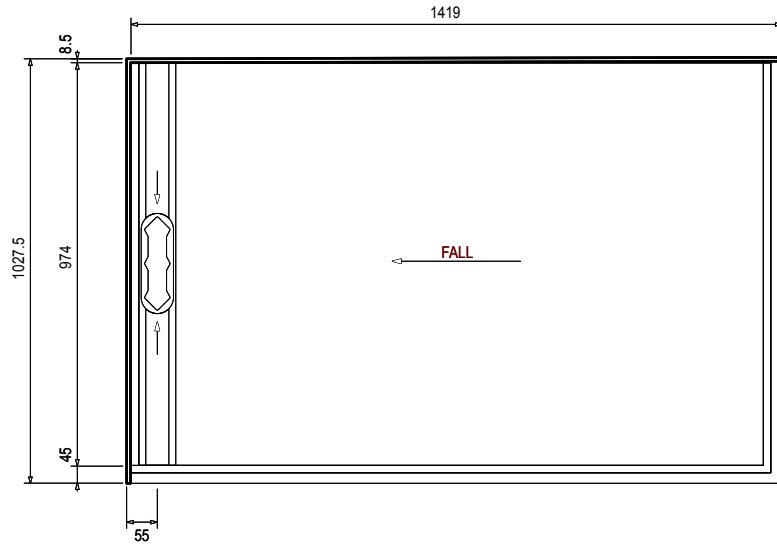


SLIDING SCREENS CONFIGURATION

Please see *Hinged Specifications* for information on Hinged Screens.

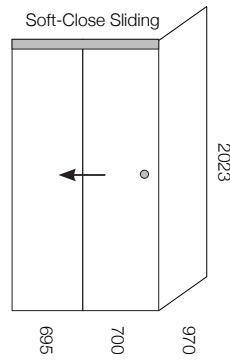


LH BASE

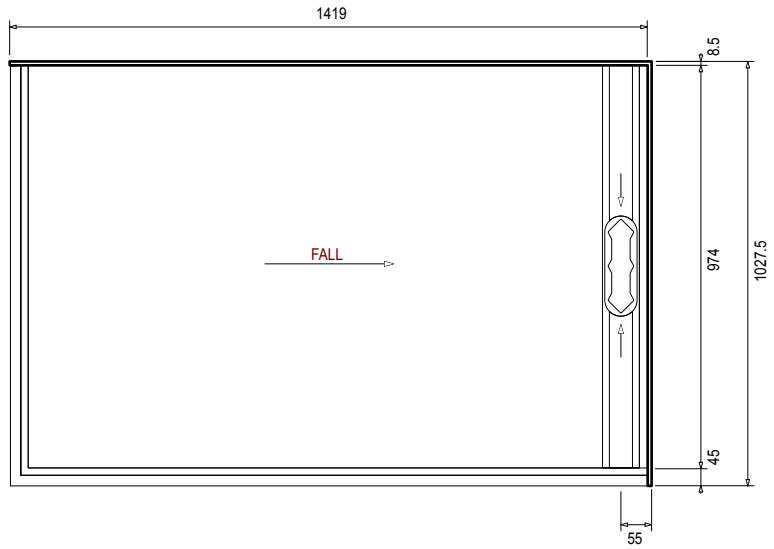


SLIDING SCREENS CONFIGURATION

Please see *Hinged Specifications* for information on Hinged Screens.



RH BASE



SLIDING SCREENS CONFIGURATION

Please see *Hinged Specifications* for information on Hinged Screens.

