



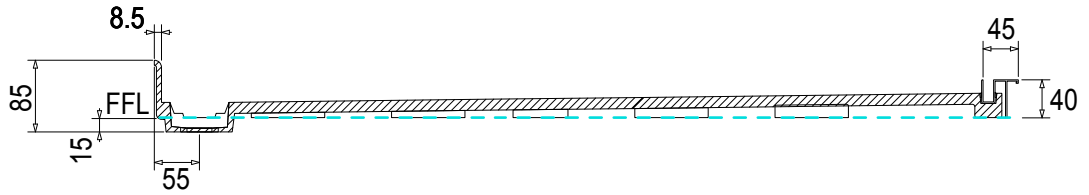
2 WALL HINGED SHOWER TECHNICAL SPECIFICATIONS



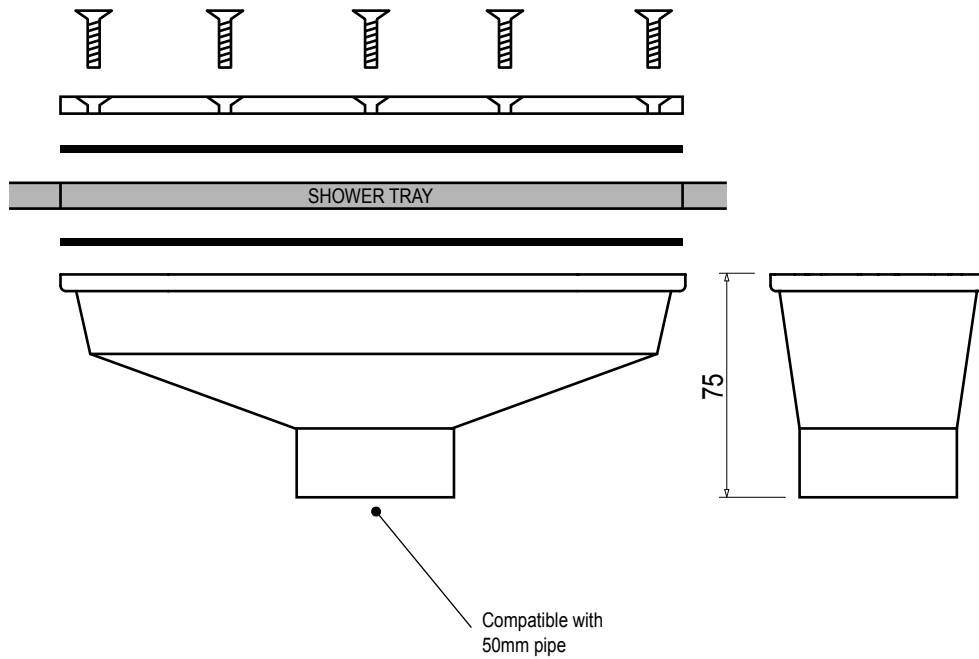
exclusive to
plumbingworld

www.brenner.co.nz

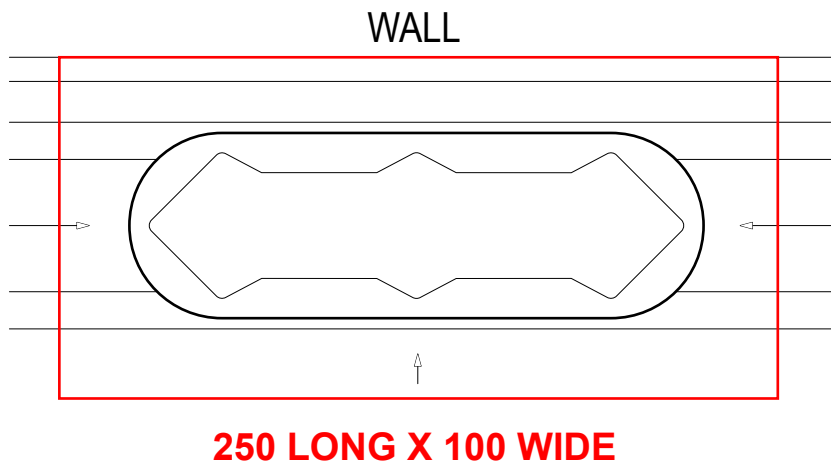
TYPICAL BASE PROFILE



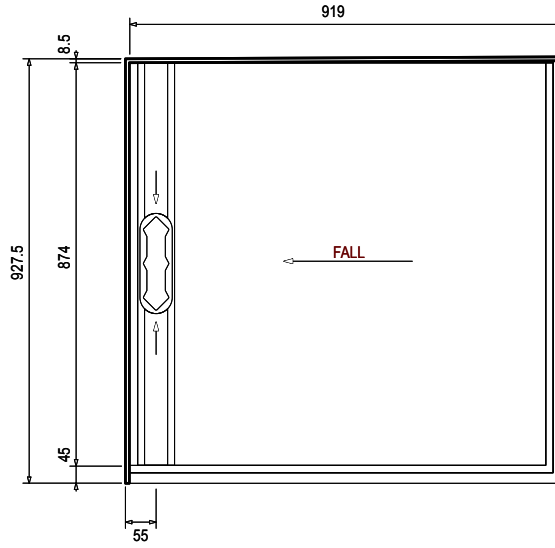
WASTE DETAIL



WASTE RECESS

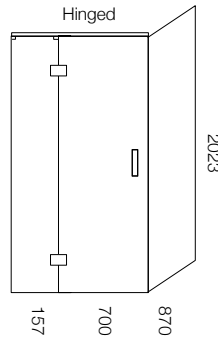


LH BASE



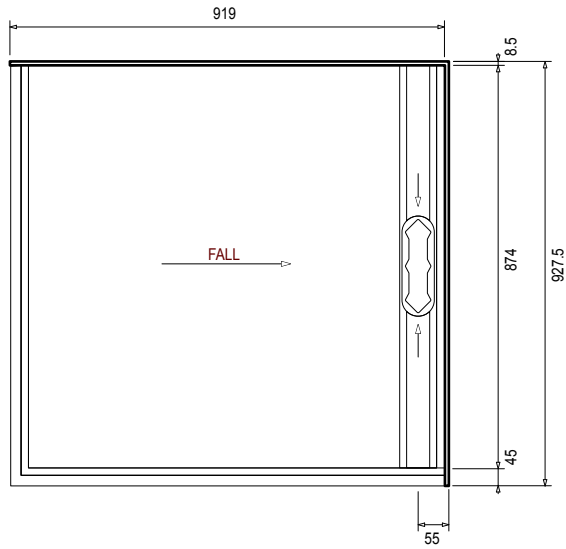
HINGED SCREENS CONFIGURATION

Please see *Sliding Specifications* for information on Sliding Screens.



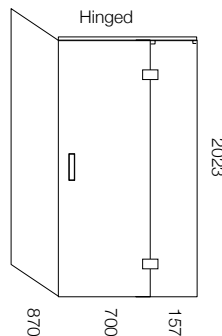
Screens are reversible

RH BASE



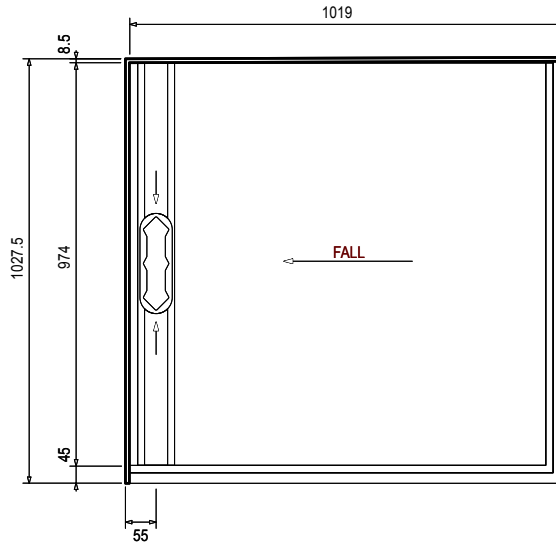
HINGED SCREENS CONFIGURATION

Please see *Sliding Specifications* for information on Sliding Screens.



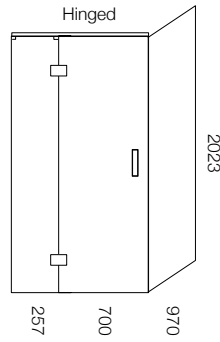
Screens are reversible

LH BASE



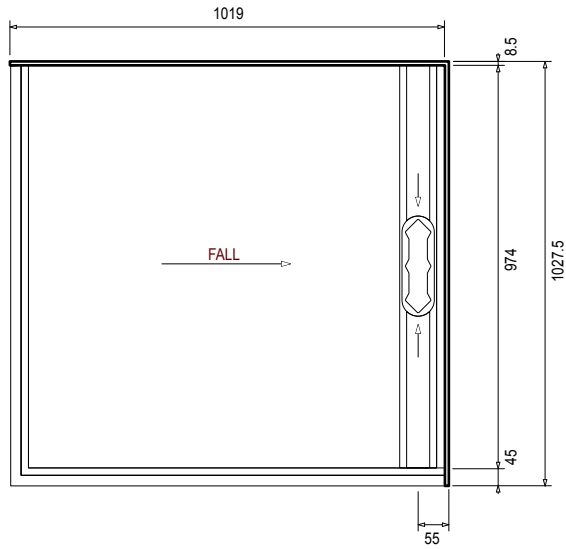
HINGED SCREENS CONFIGURATION

Please see *Sliding Specifications* for information on Sliding Screens.



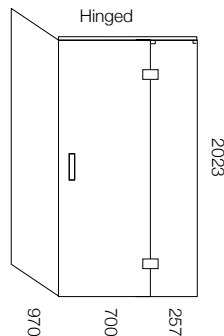
Screens are reversible

RH BASE



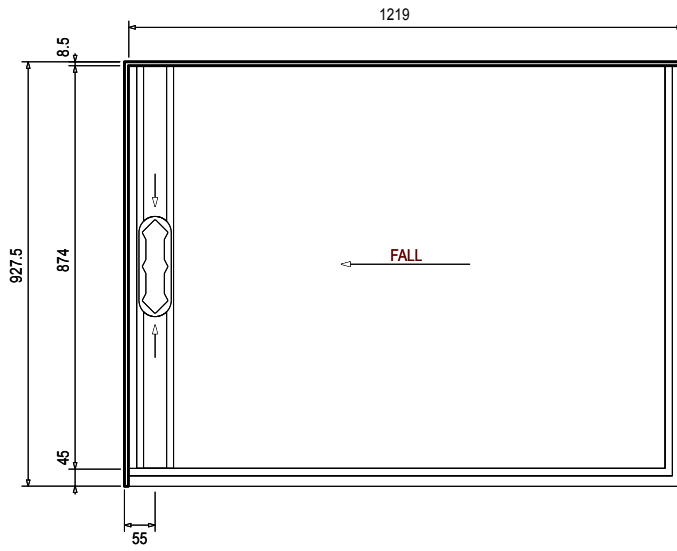
HINGED SCREENS CONFIGURATION

Please see *Sliding Specifications* for information on Sliding Screens.



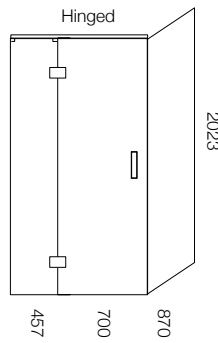
Screens are reversible

LH BASE

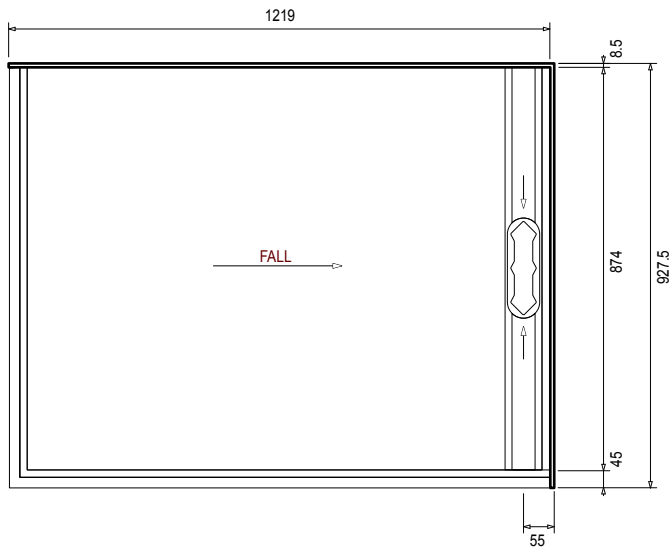


HINGED SCREENS CONFIGURATION

Please see *Sliding Specifications* for information on Sliding Screens.

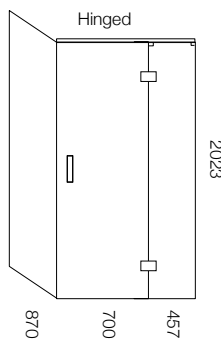


RH BASE

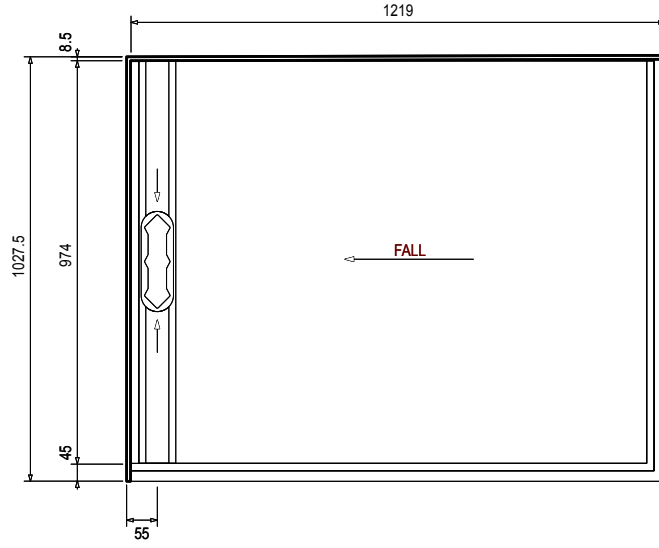


HINGED SCREENS CONFIGURATION

Please see *Sliding Specifications* for information on Sliding Screens.

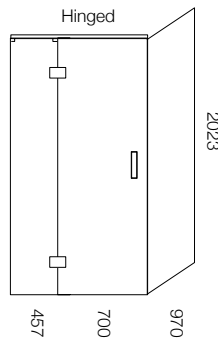


LH BASE

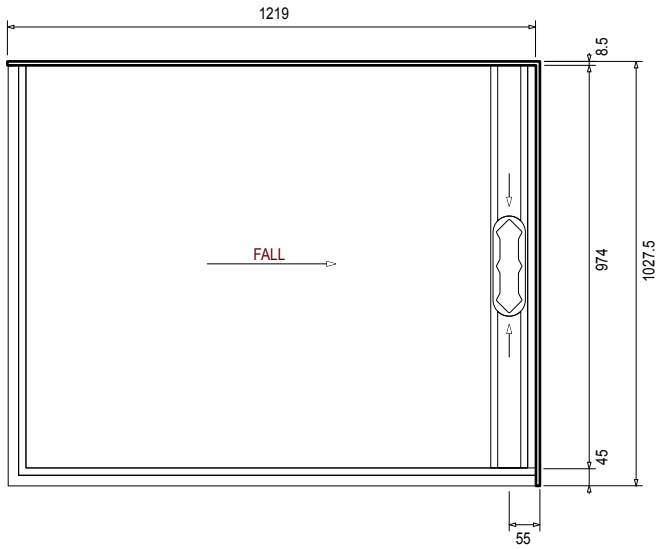


HINGED SCREENS CONFIGURATION

Please see *Sliding Specifications* for information on Sliding Screens.

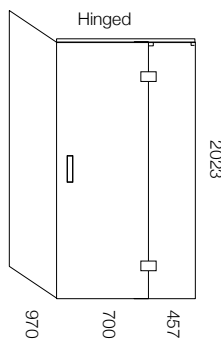


RH BASE

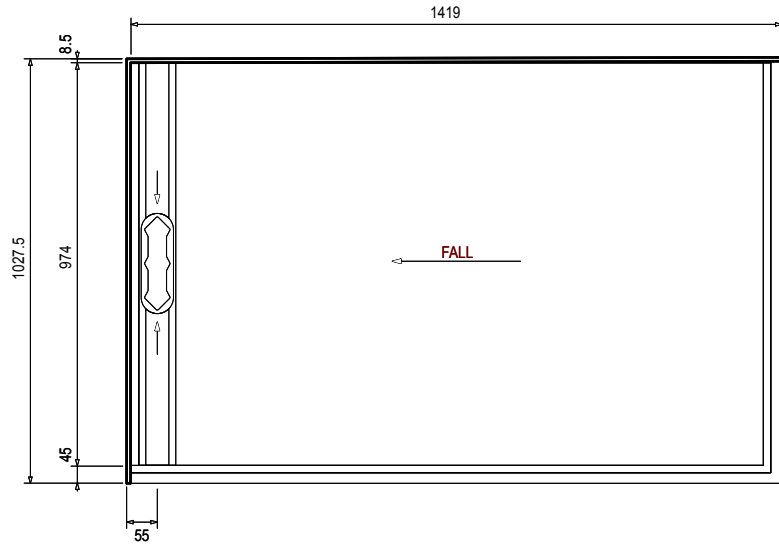


HINGED SCREENS CONFIGURATION

Please see *Sliding Specifications* for information on Sliding Screens.

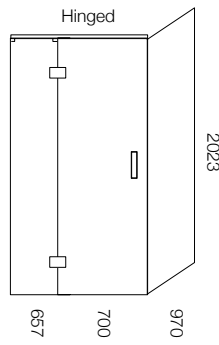


LH BASE

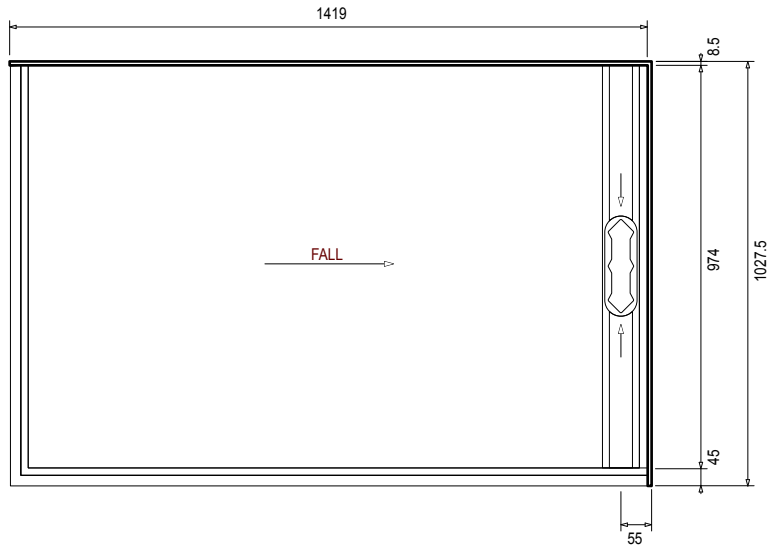


HINGED SCREENS CONFIGURATION

Please see *Sliding Specifications* for information on Sliding Screens.



RH BASE



HINGED SCREENS CONFIGURATION

Please see *Sliding Specifications* for information on Sliding Screens.

