

# BRENNER

## TILEABLE & PREFINISHED SHOWERS

### **BFK-BR-EC**

<b>Included in this package:</b>			
1 x	WASTE-AQ-EC – AquaPlane EasyClean waste	<input type="checkbox"/>	1 x Base fitting instructions (this booklet) <input type="checkbox"/>
2 x	Construction Adhesive	<input type="checkbox"/> <input type="checkbox"/>	
1 x	White NG Silicone	<input type="checkbox"/>	
1 x	WFRT-AQUA-EC - Waste Fin Removal Tool	<input type="checkbox"/>	

### **Other equipment required**

- Broom
- Accurate level
- Tape measure
- Adhesive application /caulking gun
- Levelling compound and associated equipment (if floor is out of level)

*The installation process requires the waste fitting to be installed at the same time as the base.*

*It is recommended that this is undertaken by a qualified plumber and carpenter.*

***Tileable Base: The wall glazing channels must be fitted to the wall after waterproofing, PRIOR TO TILING***

*Once Wall Channels have been installed walls are to be tiled. Glass Screens are to be installed as per screen fitting instructions.*

The surface of the Brenner shower base may be left with a gloss white Acrylic pre-finished surface, alternatively the base may be tiled.

**GLOSS WHITE ACRYLIC FINISH** – The acrylic shower base must be protected at all times to ensure the surface of the base is not damaged.

**TILED SHOWER BASE** – Prior to tiling the acrylic surface of this shower base must be sanded to achieve adequate adhesion. The base must be sanded in a North, South, East, West direction. For a list of compatible tile adhesives visit [www.atlantis.net.nz/trade/tiling](http://www.atlantis.net.nz/trade/tiling)

All shower bases are inspected before leaving the factory, any damage on the tray will be the responsibility of the shower installer / owner.

# BASE AND WASTE FITTING INSTRUCTIONS

FIGURE 1 - Brenner – base profile diagram



## FLOOR PREPARATION – on any floor type

1. Sweep floor free of dust. Check the floor is level over the entire area where the shower base is to be fitted. If the floor is not flat or level, use levelling compound to rectify.
2. Allowance must be made for the bulge on the underside of the channel drain either side of the waste outlet. The waste outlet sits 15-20mm below the bottom of the tray.
3. Provide a recess for the channel drain to a minimum size of 600mm x 150mm, **FIGURE 2**, in the correct position to suit the shower base.



4. Dry fit the shower base onto the flooring. The flooring substrate **must** be level. Due to the nature of the product the shower base may bow slightly. Once glued to the floor the top of the glazing channel(s) and top edges of the upstands must be level. The floor of the shower base must slope towards the drain.

FIGURE 2

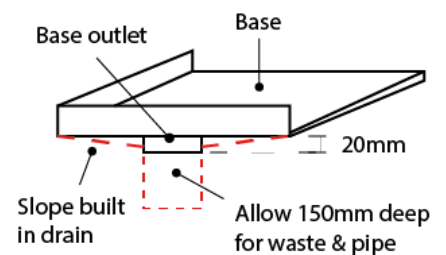
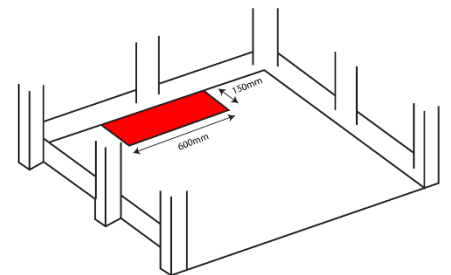


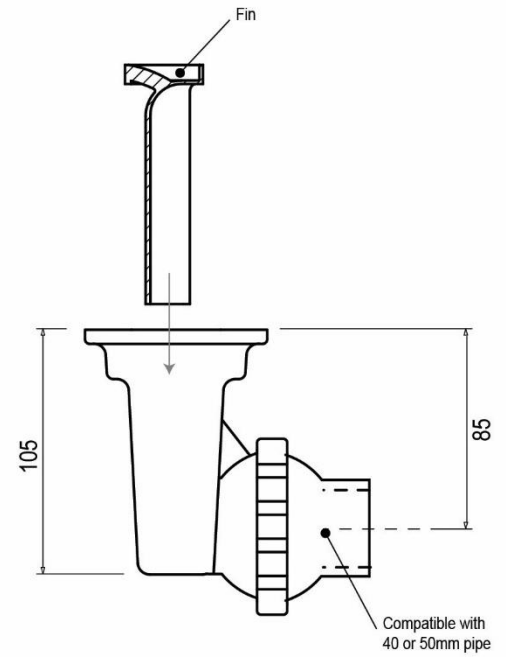
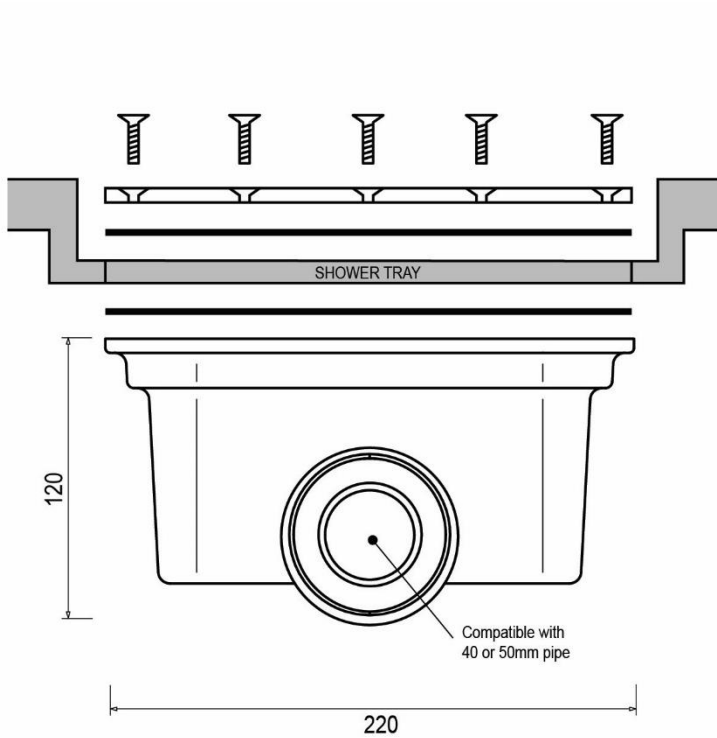
FIGURE 3



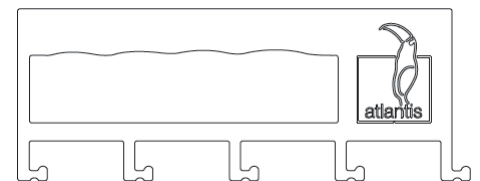
# WASTE PREPERATION

When setting up the waste allow some flexibility/movement in the waste body for ease of installation.

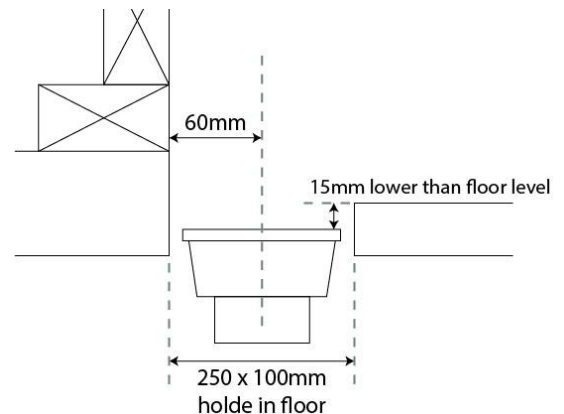
1. Separate the components of the waste into:
  - The top ring, top seal and 5mm stainless steel screws
  - The waste body and body seal
  - Fin



Included in this package is a Waste Fin Removal Tool – This should be put aside for the homeowner.



1. Connect the waste body to the pipework, ensuring that the body seal is in the correct position and 15/25mm below the floor level.
2. Clear floor of all debris and dust
3. Apply Sturdibond liberally to the webbed support rings and the shower base perimeter.
4. Install base in final position. Apply weights on the surface of the base for 4 hours (preferably a board with heavy weight distributed around the perimeter of the shower base).
5. NOTE: cure time may vary depending on installation conditions.
6. The inside face of the upstand must be flush with the inside face of the wall board, see **FIGURE 1**.
7. The top of the glazing channel must be level.



## WASTE CONNECTION

- Place the top seal and top ring in the waste recess of the shower base and screw into the waste body with a phillips hand screw driver (do not overtighten)

## PLEASE NOTE -

- Leave the protective cover over the shower base, this will ensure that the base is protected while glass screens are being installed.

The wall glazing channels must be fitted to the wall after waterproofing, **prior to tiling**.



## GLOSS WHITE ACRYLIC BASE

- Acrylic trim – Dry fit 10mm acrylic trim (BR-TRIM) to front face of shower base. Trim length to suit shower base.
- Silicone into place using supplied white silicone. Tape and let silicone cure.

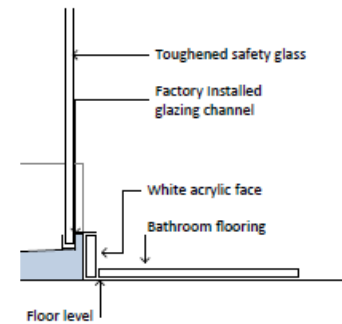


FIGURE 4

## TILED BASES

- The shower base is supplied with coving at the point where the glazing channel meets the shower base. This coving forms part of the waterproofing seal. To ensure that the tile sits flat the back side of the tile may need to be bevelled.

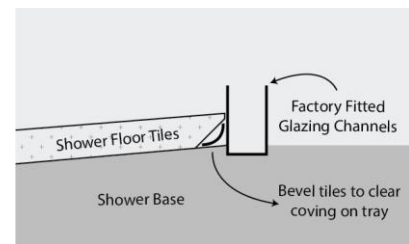


FIGURE 5

- When tiling a shower base the shower floor tile surface should be a minimum of 6mm below the top edge of the base glazing channel. Refer to figure 5.

**THIS IS ESPECIALLY IMPORTANT WHEN SLIDING DOOR SCREENS ARE BEING FITTED – for door clearance.**

- Please ensure the drain cover is in place during tile laying to achieve correct clearances for water drainage – there should be an approximate 5-6mm gap, as determined by drain cover. DO NOT tile into the channel drain.



- Tiles are to be directly adhered to the white drain cover. Scuff top of draincover/white powdercoat with 80 grit sandpaper.
- Cut tiles to suit the width and length of the drain cover. Ensure a clean cut on all tile edges as these remain visible.
- Adhere tiles to sanded drain cover using Construction Adhesive/Sturdibond.
- Once tiles are set silicone seal the joints